



Bathtub - CL.1

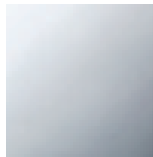
Tub spout without diverter for deck-mounted installation - polished chrome

Article number: 13 612 705-00

- 7-7/8" Projection
- Rectangular aerator with 55 individual streams
- Total height 4-7/8"
- Height to aerator/spout outlet 4-1/4"
- 1-3/8" hole diameter
- 1/2" connection
- Water flow rate limited to max. 6.5 gpm

Codes & Standards

- ASME A112.18.1/CSA B125.1
- Fittings group in compliance with DIN 4109: 2



polished chrome

Accessory is required for this item.

Discontinued items available to order until 31.12.9999



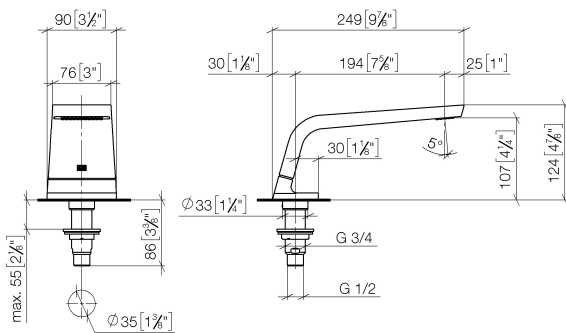
Bathtub - CL.1

Tube spout without diverter for deck-mounted installation - polished chrome

Article number: 13 612 705-00

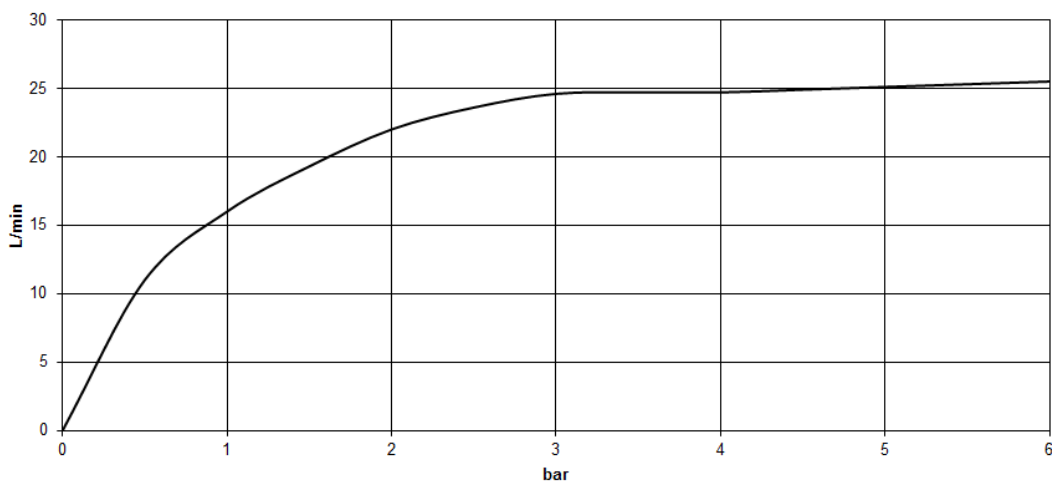
Dimensional drawing

mm [inches]



All dimensions in mm / inch = mm x 0,0394

Flow rate chart





Bathtub - CL.1

Tub spout without diverter for deck-mounted installation - polished chrome

Article number: 13 612 705-00

Other surface finishes



platinum matte
13 612 705-06



Dark Platinum matte
13 612 705-99

More custom finish options are available via special production (xTra Service). Please see our finish matrix for availability and pricing or contact a Dornbracht representative.



12 509 970-90 0010

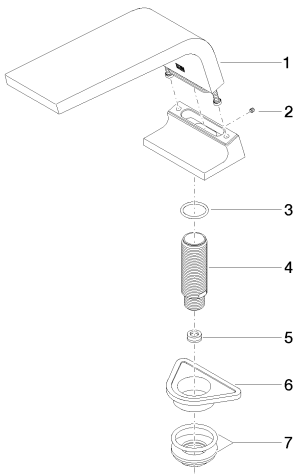
Hose set -

Bathtub - CL.1

Tub spout without diverter for deck-mounted installation - polished chrome

Article number: 13 612 705-00

Spare parts list



Number	Item Number	Designation	Number of units
1	90 11 70 007 00-00	spout	1
2	09 31 11 099 90	pin	1
3	09 14 10 009 90	seal	1
4	09 30 01 117 90	connection	1
5	09 23 01 057 90	flow reducer	1
6	09 18 40 090 90	sleeve	1
7	04 23 10 004 03 90	fixing set	1